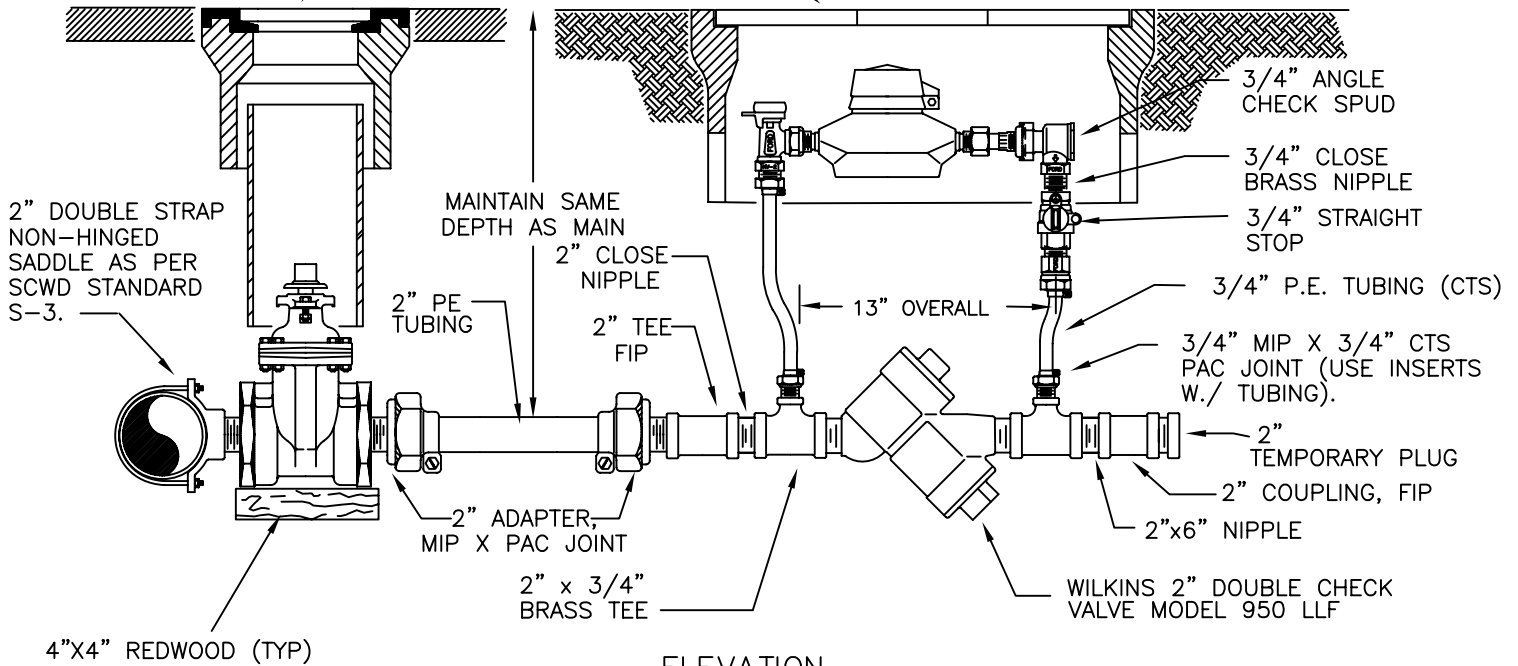


VALVE BOX ASSEMBLY PER
SCWD STANDARD S-6
W/ "F.S." WELDED ON LID.

BACKFLOW ASSEMBLY SHALL BE APPROVED BY THE UNIVERSITY
OF SOUTHERN CALIFORNIA FOUNDATION FOR CROSS CONNECTION
CONTROL AND HYDRAULIC RESEARCH.

AC PAVEMENT

CHRISTY B-9 METER BOX,
CAST IRON TRAFFIC LID TO
BE MARKED "F.S."

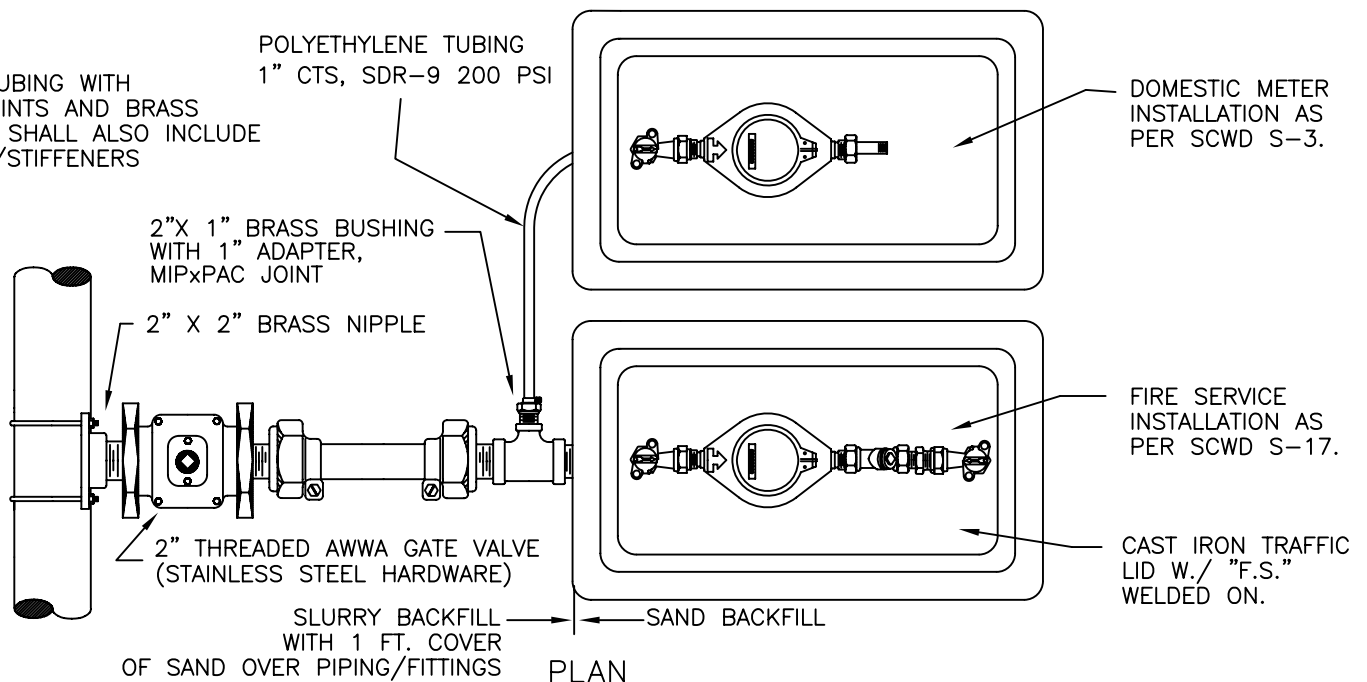


ELEVATION

(FIRE SERVICE METER SHOWN)

NOTE:
2" PE TUBING WITH
PACK JOINTS AND BRASS
FITTINGS SHALL ALSO INCLUDE
INSERTS/STIFFENERS

POLYETHYLENE TUBING
1" CTS, SDR-9 200 PSI



PLAN

STD020

SOQUEL CREEK WATER DISTRICT

P.O. BOX 1550

CAPITOLA, CALIFORNIA 95010

CAD: TAD

DATE: DEC-06

CHECKED: MJW

APPROVED: JNG

2-INCH FIRE AND DOMESTIC
COMBINED SERVICE INSTALLATION

STD. NO.

S-20