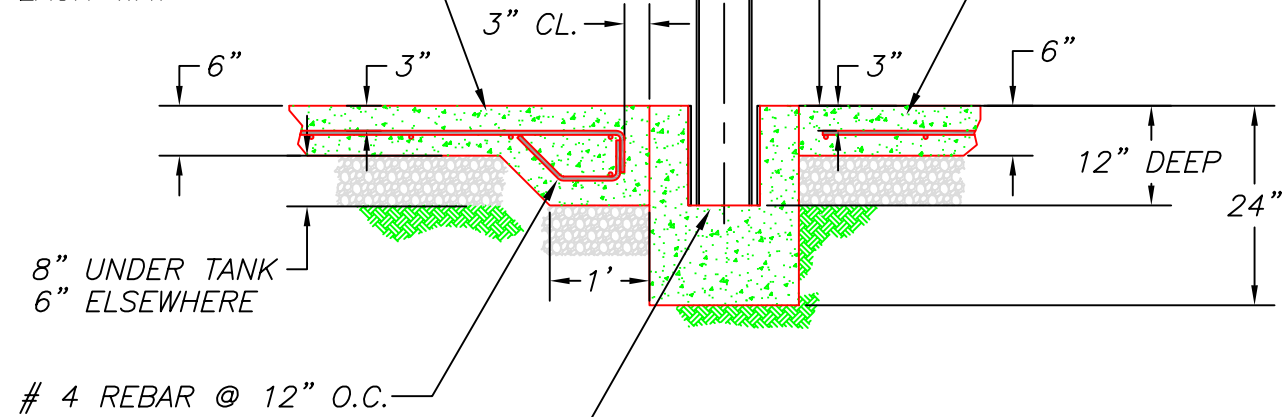
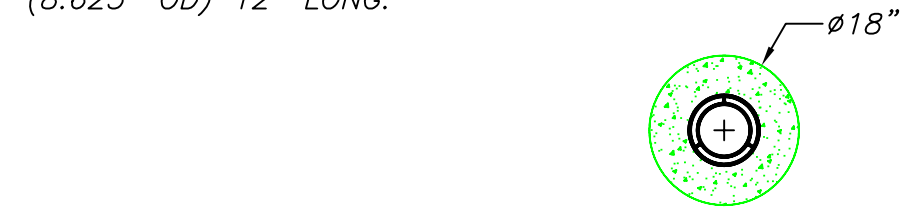


6" SCH. 40 GALV. STEEL PIPE
(6.625" OD)
(NO CONCRETE FILL)
PAINTED OSHA YELLOW

6" THICK CONCRETE TANK
FOUNDATION AND FILL APRON
OVER 8" CL. 2 BASEROCK
COMPACTED TO 95% R.C.
4 REBAR @ 12" O.C.
EACH WAY



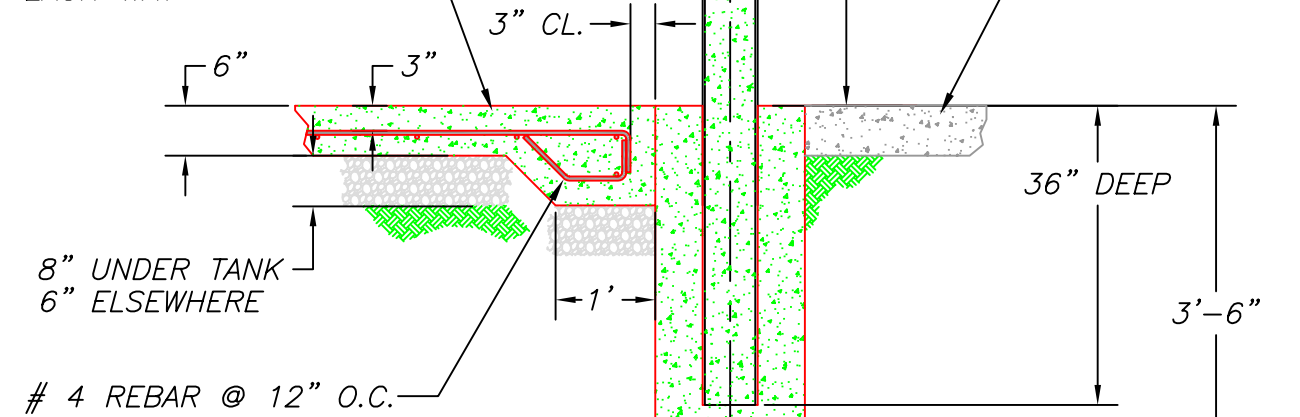
8" SCH. 40 GALV. STEEL PIPE
(8.625" OD) 12" LONG.



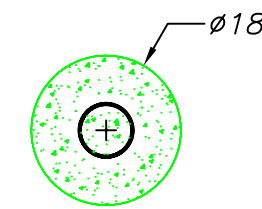
DETAIL 1
REMOVABLE BOLLARD
AND TANK FOUNDATION
DETAIL

6" SCH. 40 GALV. STEEL PIPE
(6.625" OD)
(FILL WITH CONCRETE)
PAINTED OSHA YELLOW

6" THICK CONCRETE TANK
FOUNDATION OVER 8" CL. 2
BASEROCK COMPACTED
TO 95% R.C.
4 REBAR @ 12" O.C.
EACH WAY

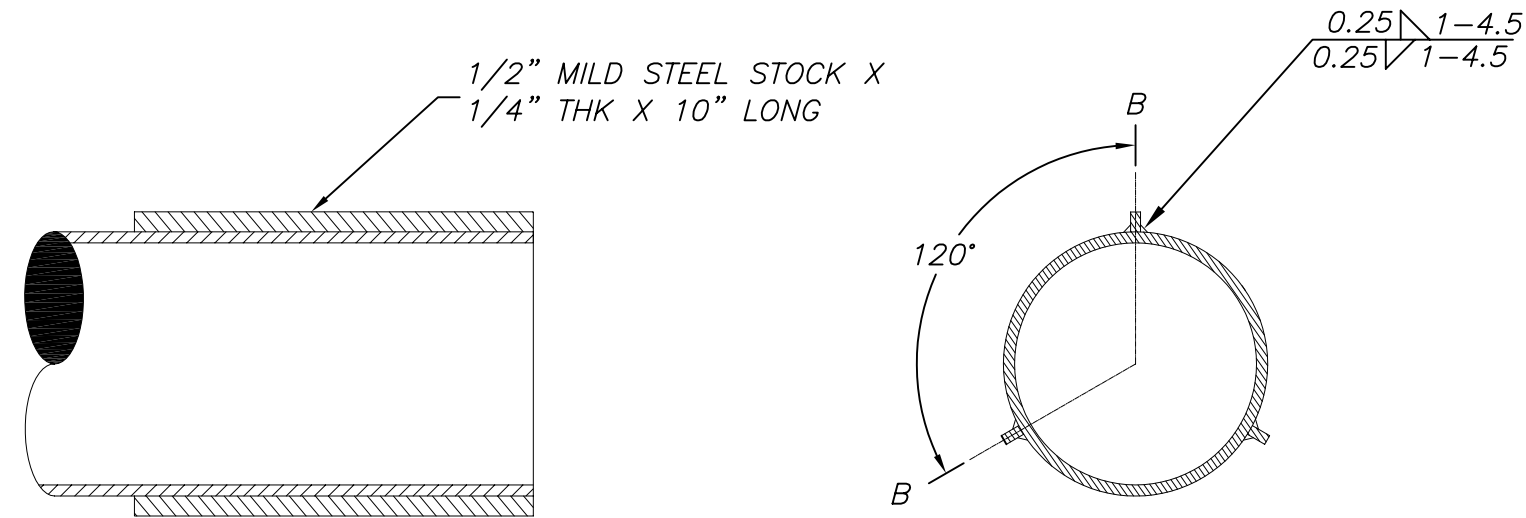


4 REBAR @ 12" O.C.



DETAIL 2
FIXED BOLLARD
DETAIL

SCALE: 1/2" = 1'



SECTION B-B
BOTTOM END OF REMOVABLE BOLLARD

SCALE: NONE

No.	Revision/Issue	Date
1	ISSUED FOR APPROVAL	11/18/03
0	ISSUED FOR CONSTRUCTION	11/18/03

HEADQUARTERS ABOVE GROUND
FUEL TANK INSTALLATION
DETAILS

SOQUEL, SANTA CRUZ COUNTY, CALIFORNIA
APN: 030-242-43
G:\01_Proj_Current\03-144\3rd_time_out_to_bid\Rev_0 B-4.dwg 11-18-03 01:22:32 PM tajd

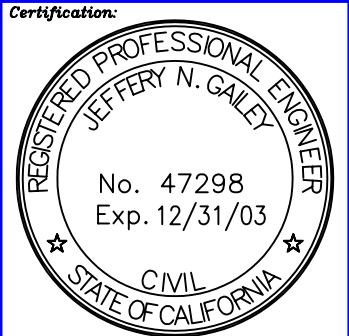
SOQUEL CREEK
WATER DISTRICT
PO Box 158 Soquel, California 95073
Phone Number: (831) 475-8500
Fax Number: (831) 475-4291

CWO. NO. 03-144
DATE: 10/20/03
SCALE: AS NOTED
DESIGN BY: TAD

REVIEWED BY:
O.E.M.
DATE

SHEET
B-4

DWG. NO. B-03-2121-H



Jeffery N. Gailey
Chief Engineer
Engineering Manager