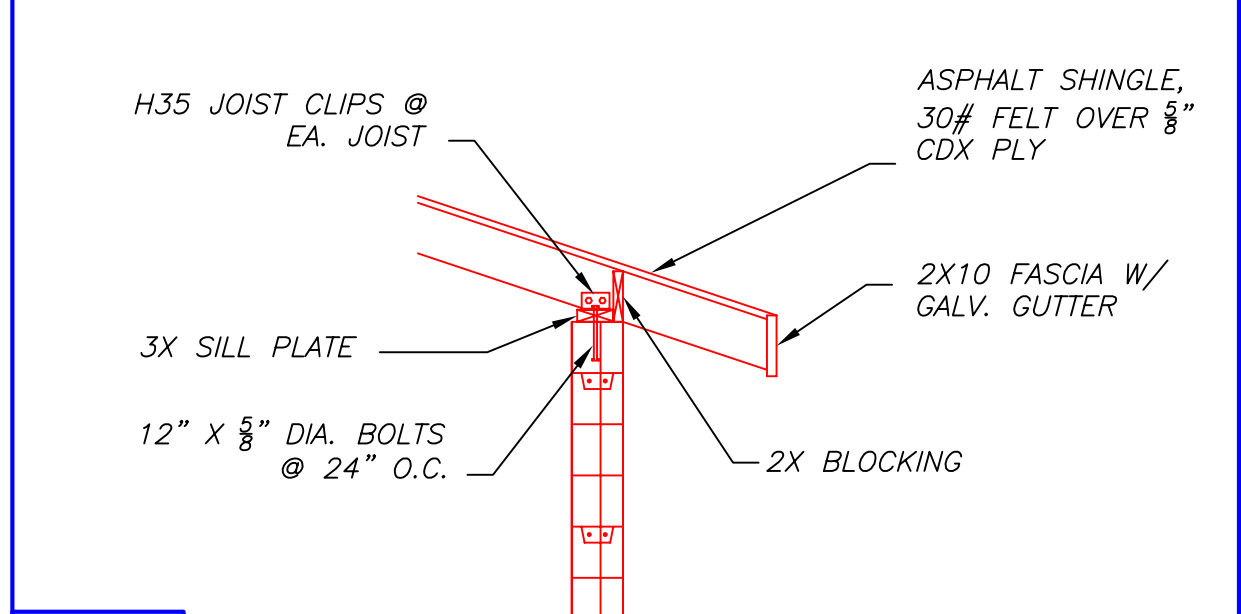
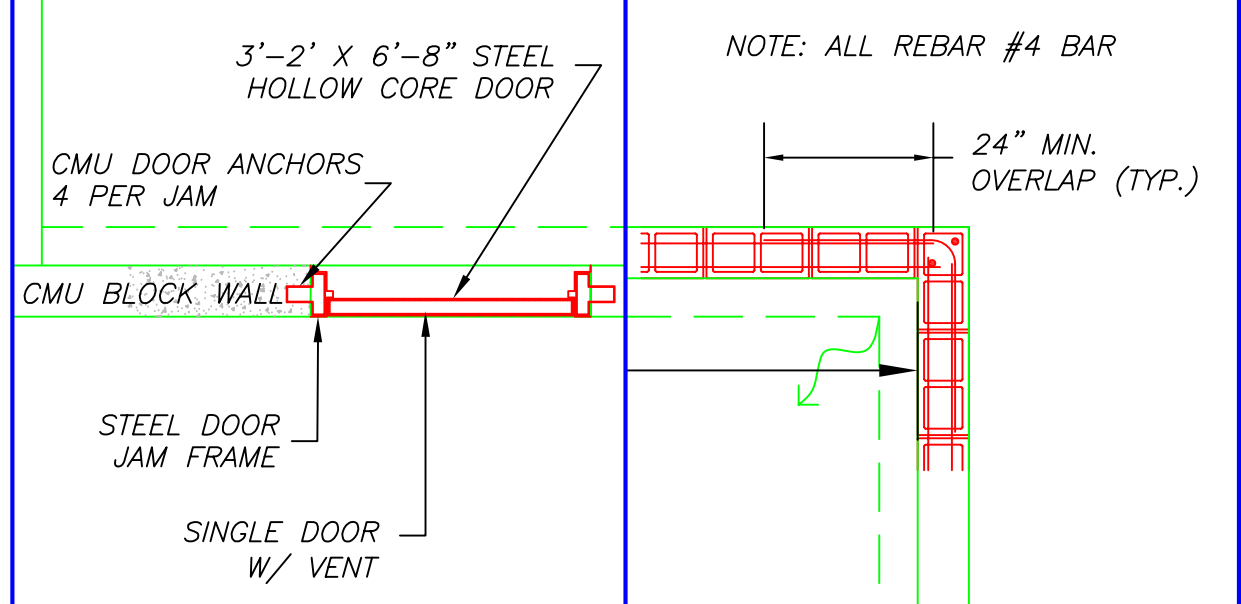


DETAIL 1 NO SCALE



DETAIL 2 NO SCALE



DETAIL 3 NO SCALE

No.	Revision/Issue	Date
4	ISSUED FOR REVIEW	06/08/05
0	ISSUED FOR CONSTRUCTION	08/09/05

MOTOR CONTROL/CHLORINATION BUILDING DETAILS

APPOS. SANTA CRUZ COUNTY, CALIFORNIA
APN: 041-221-30
G:\01_Proj_Current\03-122\Draw\Rev_0B7_sheet.dwg 8-15-05 10:30:59 AM cordc

CWO. NO. 03-122
DATE: 04/05/05
SCALE: AS NOTED
DESIGN BY: AVW

DWG. NO.
B-03-2112-J

SOQUEL CREEK
WATER DISTRICT
PO Box 158 Soquel, California 95073
Phone Number: (831) 475-8500
Fax Number: (831) 475-4291

SHEET
B-7

SCALE: 1" = 5'