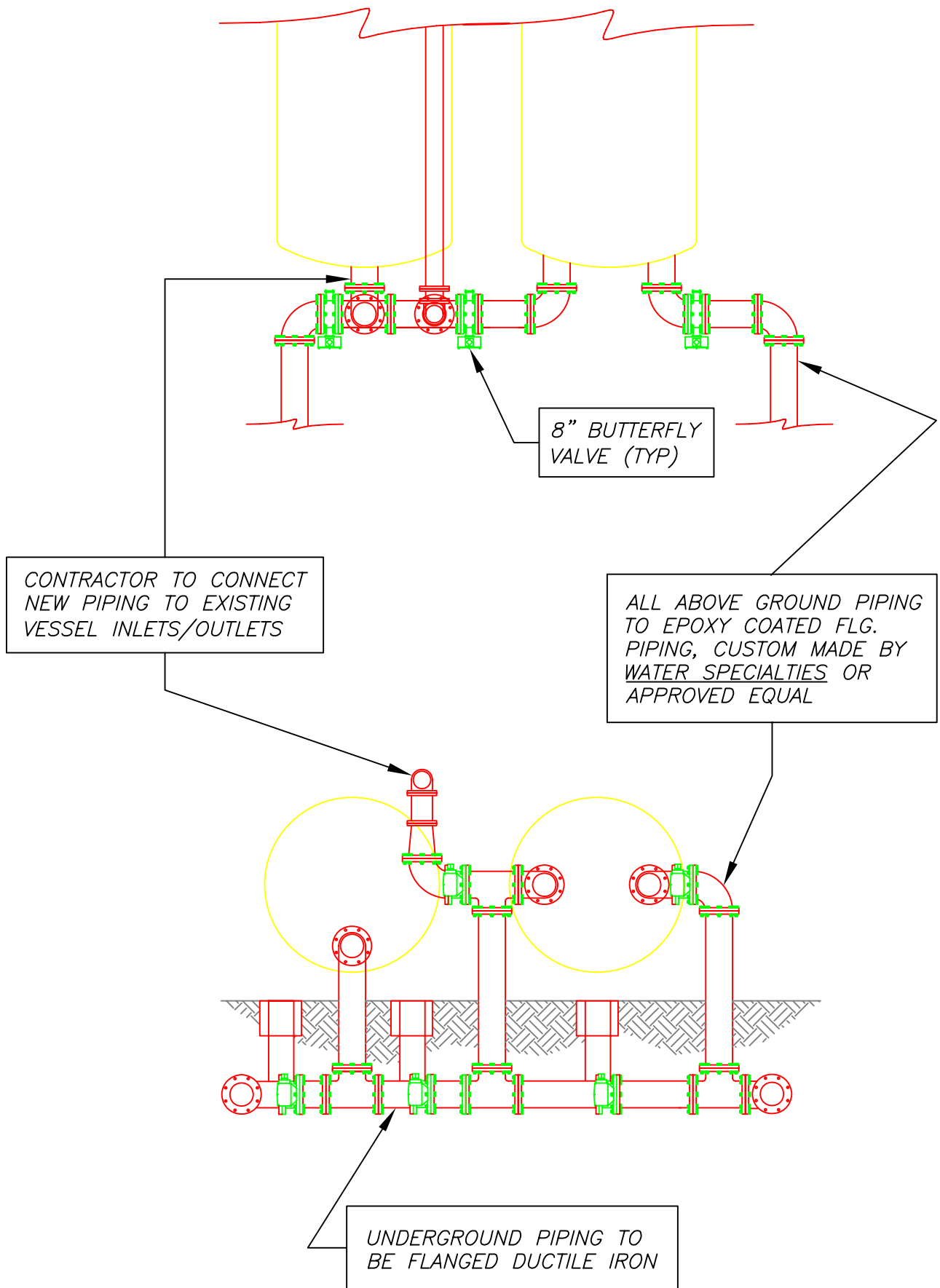
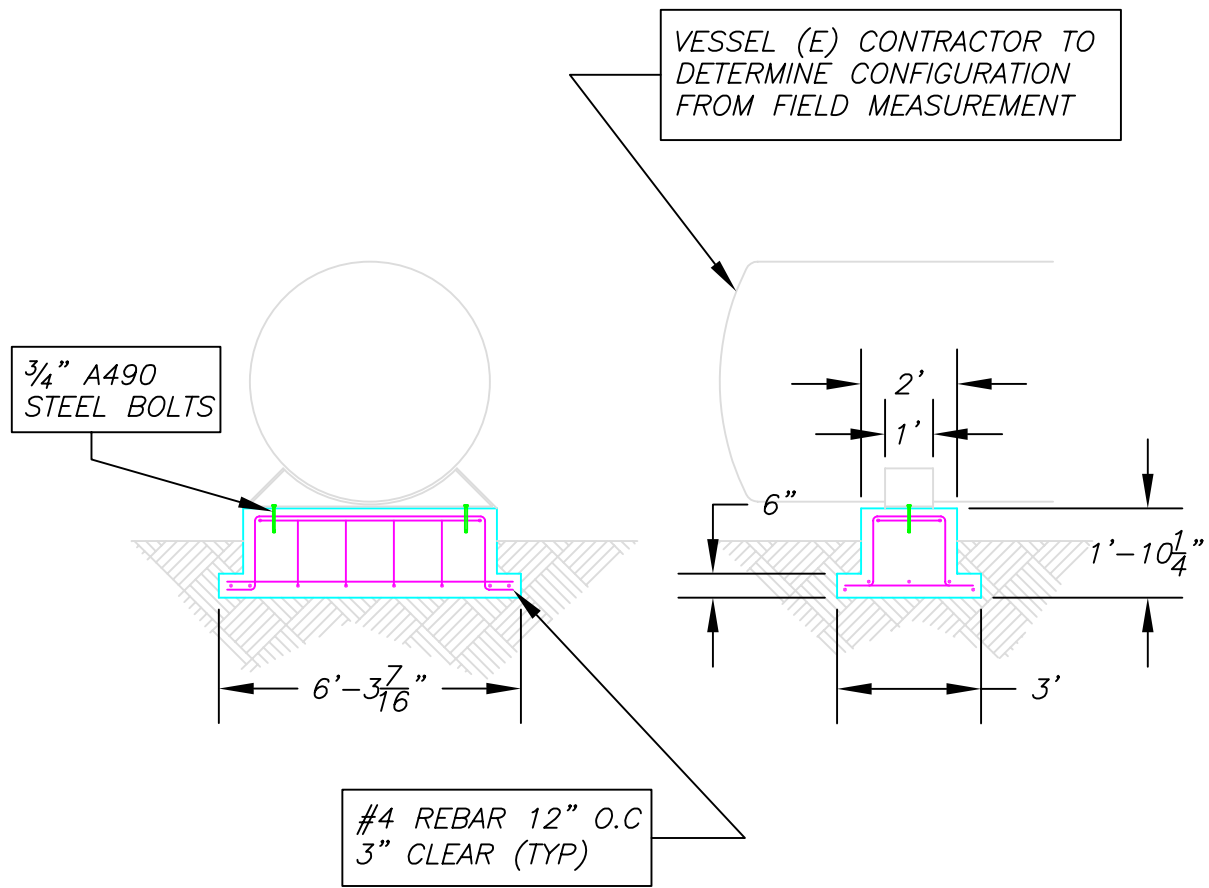


NOTE: THE DISTRICT WILL PROVIDE THE CONTACT CHAMBER & FILTER VESSEL. BOTH ITEMS ARE PRESENTLY IN STORAGE



| No. | Revision/Issue          | Date     |
|-----|-------------------------|----------|
| A   | ISSUED FOR REVIEW       | 06/08/05 |
| 0   | ISSUED FOR CONSTRUCTION | 08/19/05 |

**VESSEL FOUNDATION & PIPING DIAGRAM**

CWO. NO. 03-122  
DATE: 04/05/05  
SCALE: 1"=4'  
DESIGN BY: AVW

DWG. NO.  
B-03-2112-J

SOQUEL CREEK  
WATER DISTRICT  
PO Box 158 Soquel, California 95073  
Phone Number: (831) 475-8500  
Fax Number: (831) 475-4291

SHEET  
**B-5**

APPOS. SANTA CRUZ COUNTY, CALIFORNIA  
APN: 041-221-30  
G:\01\_Proj\_Current\03-122\Draw\Rev\_085\_ssheet.dwg 8-15-05 10:27:55 AM ccrdc