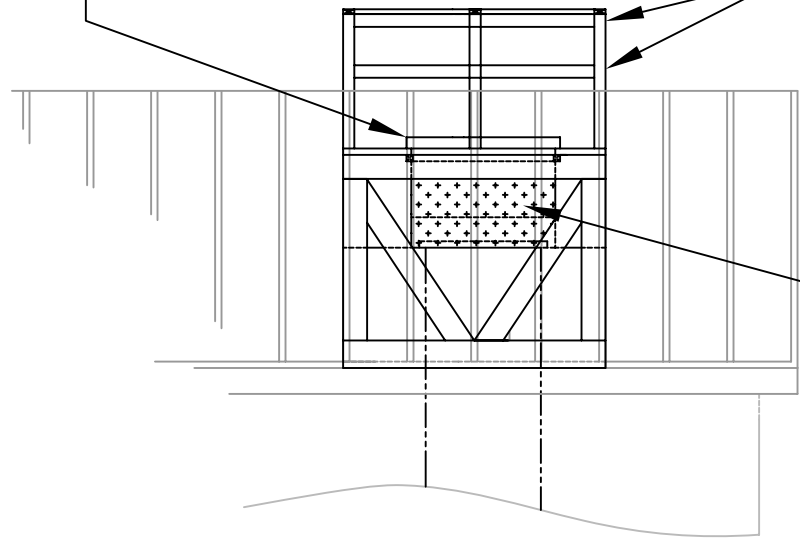


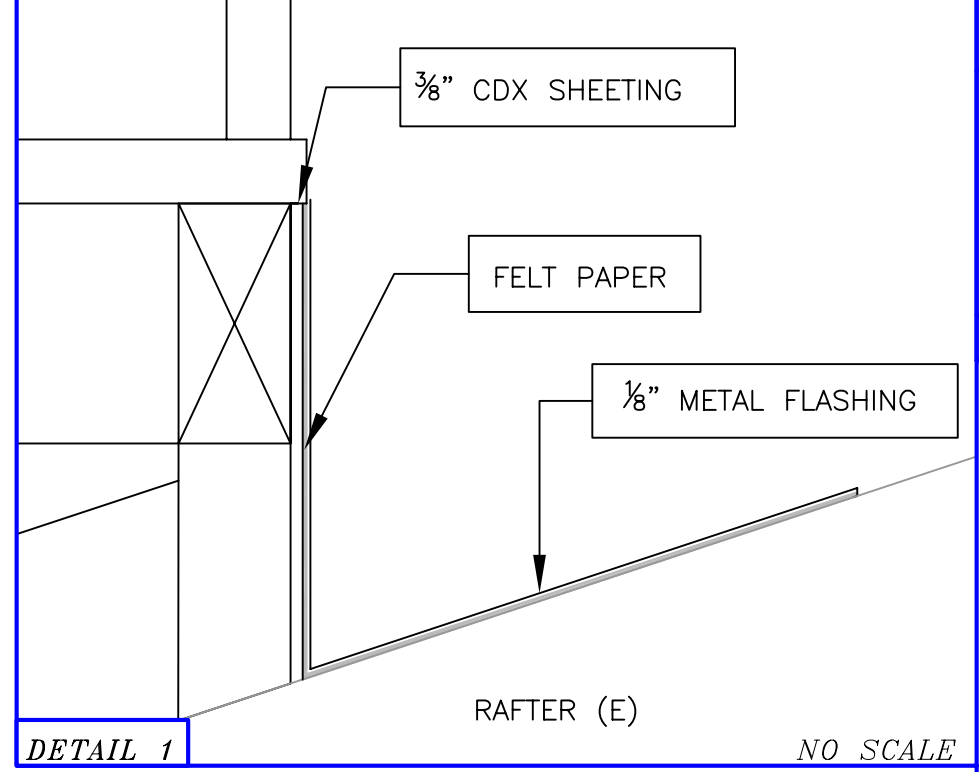
METAL DOOR

2X RAILINGS  
W/ SCREWS

3/8" CDX  
SHEETING

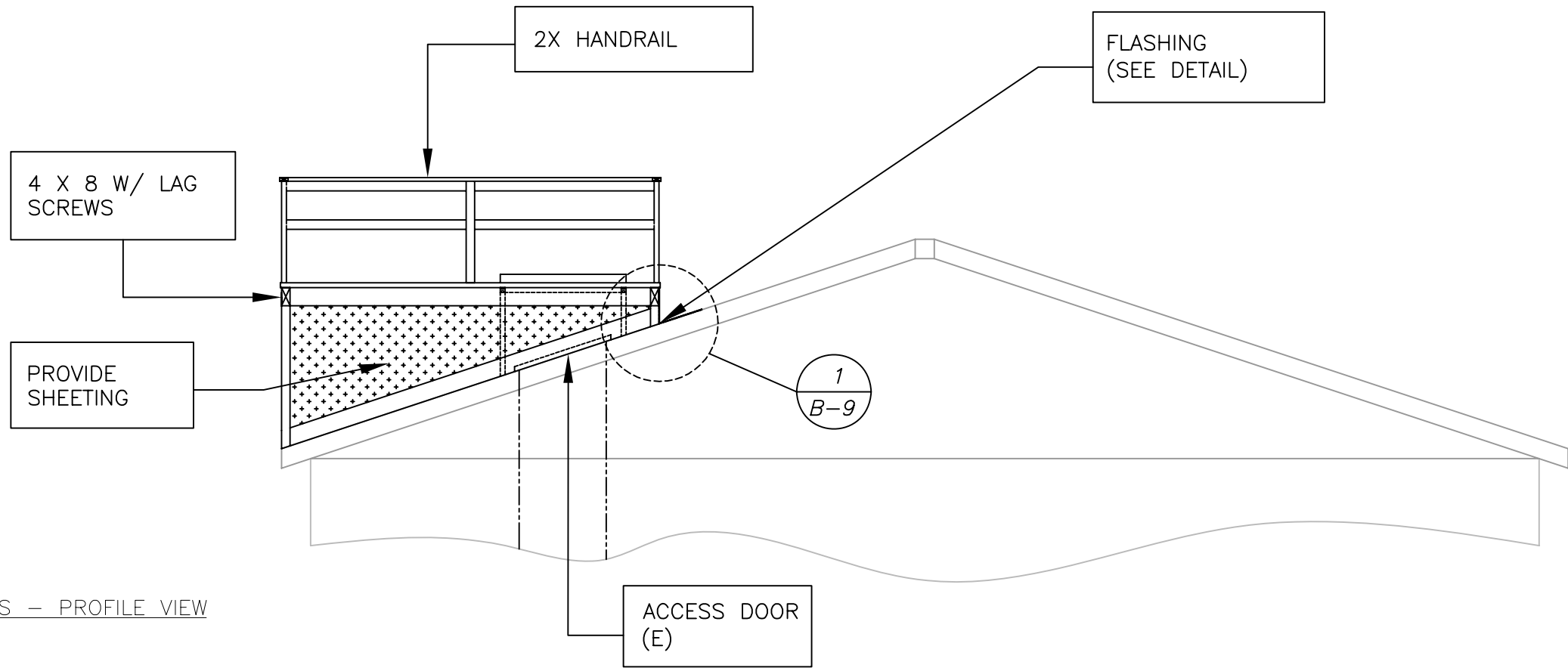


ROOF ACCESS – FRONT VIEW



DETAIL 1

NO SCALE



ROOF ACCESS – PROFILE VIEW

No.	Revision/Issue	Date
1	ISSUED FOR REVIEW	06/08/05
0	ISSUED FOR CONSTRUCTION	08/09/05

**HOLDING BASIN ROOF MODIFICATIONS DETAILS**  
 APTOS, SANTA CRUZ COUNTY, CALIFORNIA  
 APN: 041-221-30  
 c:\01\_Proj\_Current\03-122\Draw\Rev\_08-11.dwg 8-15-05 10:37:02 AM carlc

CWO. NO. 03-122  
 DATE: 04/05/05  
 SCALE: 1" = 5'  
 DESIGN BY: AVW

DWG. NO.  
 B-03-2112-J

**SOQUEL CREEK WATER DISTRICT**  
 PO Box 158 Soquel, California 95073  
 Phone Number: (831) 475-8500  
 Fax Number: (831) 475-4291

SHEET  
**B-11**