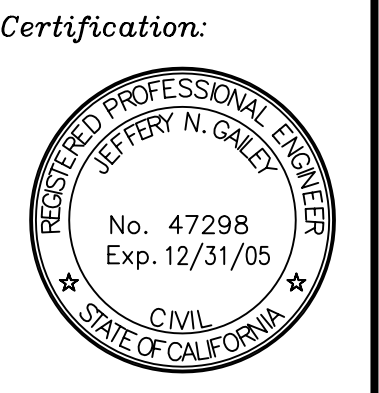


No.	Revision/Issue	Date
A	ISSUED FOR APPROVAL	02/17/04
O	ISSUED FOR CONSTRUCTION	02/17/04

**MONROE AVENUE MAIN REPLACEMENT  
SOQUEL DRIVE MAIN EXTENSION**

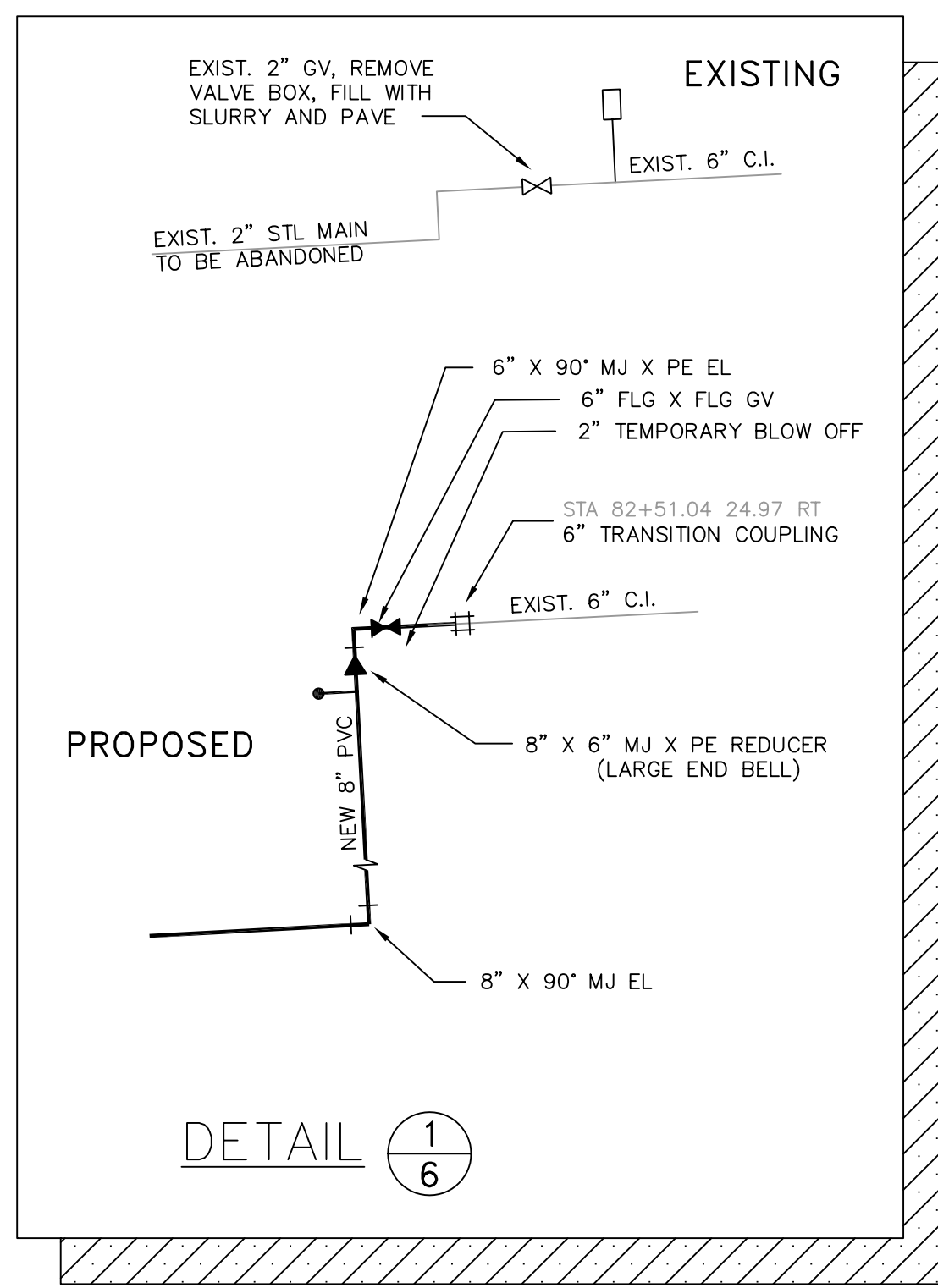
SOQUEL CREEK WATER DISTRICT  
 PO Box 158 Soquel, California 95073  
 Phone Number: (831) 475-8500  
 Fax Number: (831) 475-4291

CWO. NO. 03-120  
 DATE: 10/30/02  
 SCALE: 1" = 30'  
 DESIGN BY: TAD  
 DWC. NO. D-03-2113-F

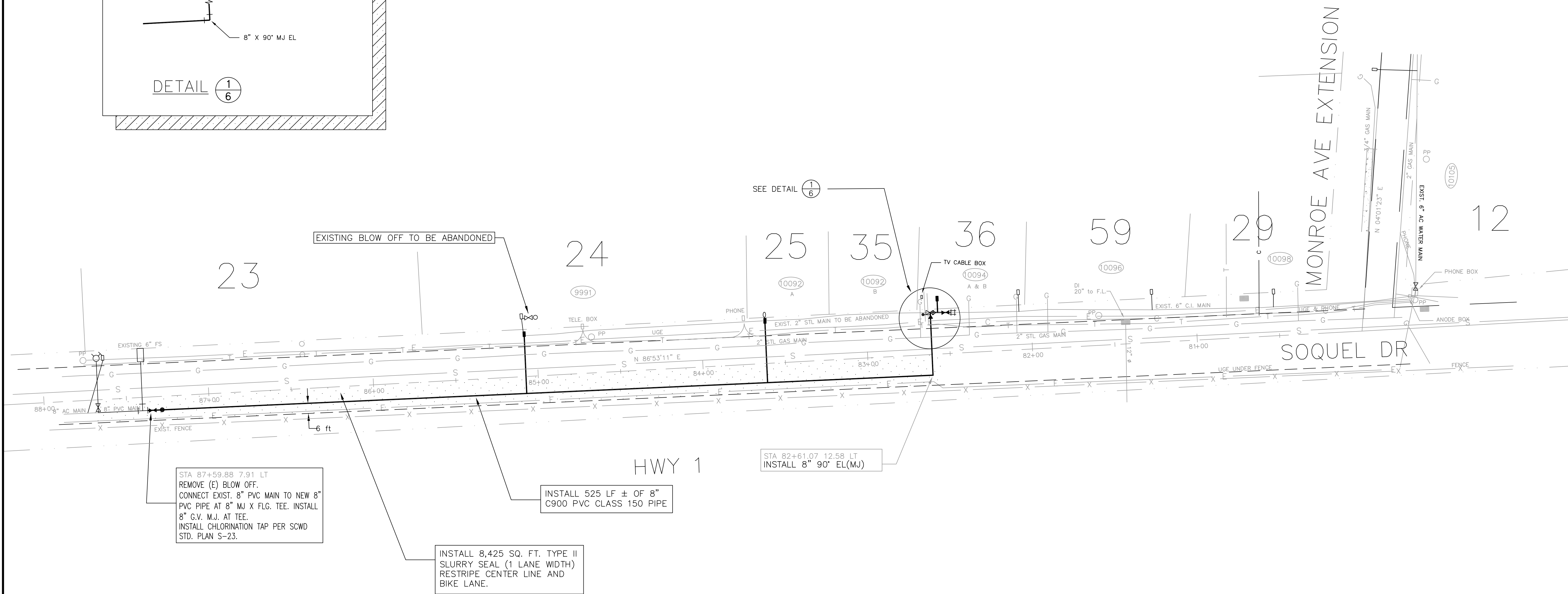
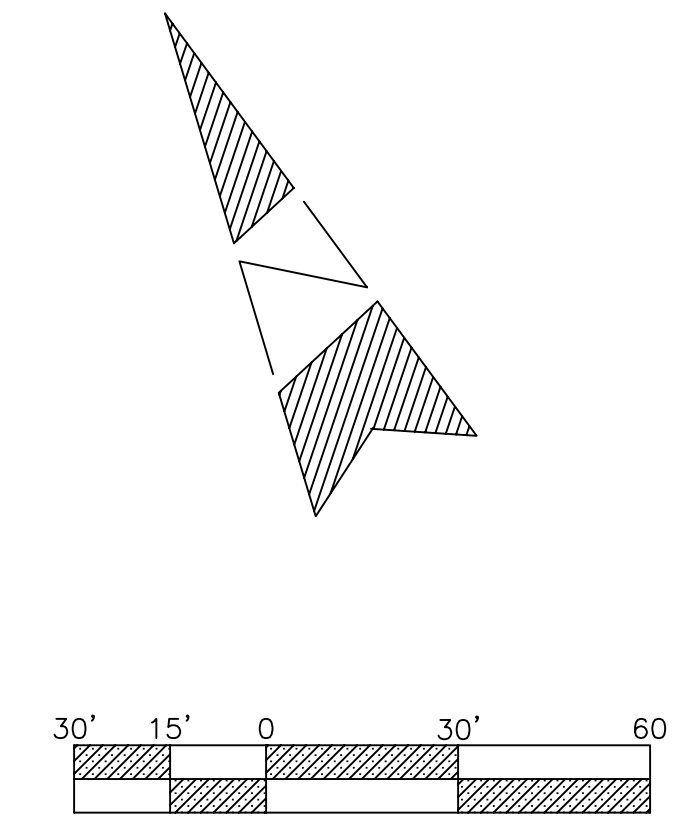


Jeffery N. Gailey  
 Chief Engineer  
 Engineering Manager

SHEET:  
**D-6**



**SERVICES:**  
 REPLACE 3 WITH 1" PE TUBING AND B-9 METER BOX  
 (9991, 10092, & 10094 SOQUEL DR)



STA 87+59.88 7.91 LT  
 REMOVE (E) BLOW OFF.  
 CONNECT EXIST. 8" PVC MAIN TO NEW 8"  
 PVC PIPE AT 8" MJ X FLG. TEE. INSTALL  
 8" G.V. M.J. AT TEE.  
 INSTALL CHLORINATION TAP PER SCWD  
 STD. PLAN S-23.

INSTALL 8,425 SQ. FT. TYPE II  
 SLURRY SEAL (1 LANE WIDTH)  
 RESTRIPE CENTER LINE AND  
 BIKE LANE.

INSTALL 525 LF ± OF 8"  
 C900 PVC CLASS 150 PIPE

STA 82+61.07 12.58 LT  
 INSTALL 8" 90° EL(MJ)

G:\01\_Proj\_Current\03-120\Draw\Rev\_01D-6.dwg 2-24-04 09:06:31 AM tajd